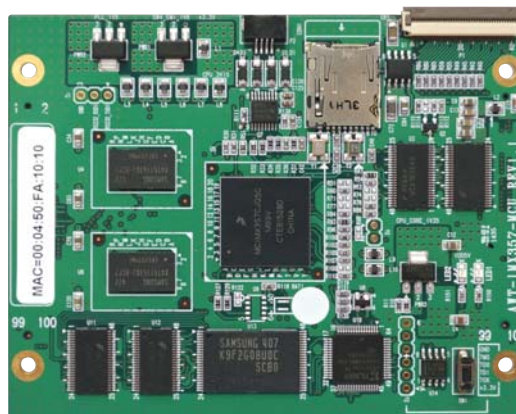


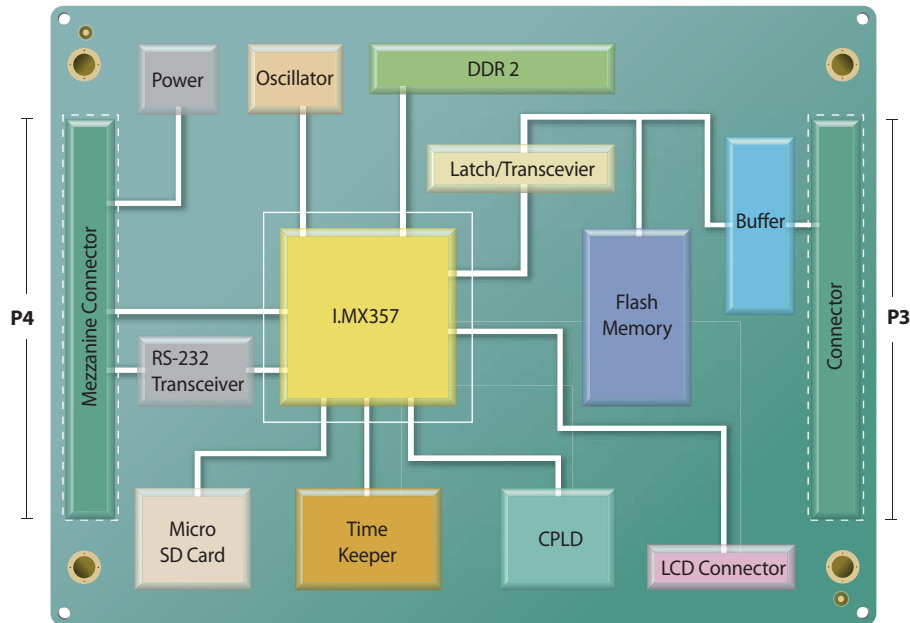
# ZCPU357 Module

- ARM1136JF-S™/ 532 MHz maximum speed/ Image Processing Unit (IPU)
- 128 KB Integrated SRAM / 16 KB I/D L1 Cache, 128 KB L2 cache
- Local Bus Interface support
- 10/100 Mbps Ethernet/IEEE®802.3 networks controllers
- RS-232C/USB Communication Interface support
- SPI/I2c Interface support
- LCD Module Interface support
- SD Card Interface support
- GP I/O Port Interface support
- Mezzanine connector type Interface



## Technical Information

System Processor and Chipset	
Processor	ARM1136JF-S™ Core processor operating 532MHz
Cache Structure	16KB I/D L1 cache, 128KB L2 cache
Ethernet Controller	1 x 10/100 Ethernet/IEEE®802.3 networks
Memory Controller	Integrated Synchronous DDR2 controller with ECC support
UARTs	3 x UART integrated in SOM
Memory	
System Memory	Up to 512MB DDR2
Flash Memory	NAND flash Up to 512MB flash
Onboard Controllers	
Watchdog	Up to 128MB DDR2, 32-bit wide + ECC, soldered
RTC	Time keeper M41T11MH6TR from STMicroelectronics
SD-CARD	Micro SD-Card interface support
LCD	40Pin flat cable connector interface support
Touch Screen	TSC2007 touch controller
USB Host	1 x HS 2.0
Software	
U-boot	U-boot firmware 1.3.3 release
Linux	Operating system board support package



P4			
PIN	SIGNAL	SIGNAL	PIN
5	GROUND	GROUND	6
11	I2C3_CLOCK	I2C3_DATA	12
13	GROUND	GROUND	14
15	PORESET*	IRQ1*	18
17	RESETIN*	IRQ3*	20
19	IRQ2*	GROUND	22
21	GROUND	3V3_RW_B	26
23	LCLK	3V3_CS5_B	28
25	3V3_CS3_B	3V3_WE1_B	32
27	3V3_CS4_B	GROUND	34
29	3V3_OE_B	D1	36
31	3V3_WEO_B	D3	38
33	GROUND	D5	40
35	D0	D7	42
37	D2	D9	44
39	D4	D11	46
41	D6	D13	48

P4			
PIN	SIGNAL	SIGNAL	PIN
43	D8	D15	50
45	D10	GROUND	52
47	D12	3V3_A1	54
49	D14	3V3_A3	56
51	GROUND	3V3_A5	58
53	3V3_A0	3V3_A7	60
55	3V3_A2	3V3_A9	62
57	3V3_A4	3V3_A11	64
59	3V3_A6	3V3_A13	66
61	3V3_A8	3V3_A15	68
63	3V3_A10	3V3_A17	70
65	3V3_A12	3V3_A19	72
67	3V3_A14	GROUND	80
71	3V3_A16		
73	3V3_A18		
79	3V3_A20		

P3			
PIN	SIGNAL	SIGNAL	PIN
1.3	VDD5V	VDD5V	2
5	USB_OTG_D_PLUS	VDD5V	4
7	USB_OTG_D_MINUS	USB_5V_VBUS_OTG	6
9	UART1_TX	USB_OTG_UID	8
11	UART2_TX	UART1_RX	10
13	GROUND	UART2_RX	12
15	GROUND	GROUND	14
19	+3.3V	GROUND	16
21	+3.3V	+3.3V	20
23	FEC_INT_B	+3.3V	22
25	GPIO1_8	GPIO1_9	26
27	GPIO1_10	GPIO1_11	28
29	GPIO1_12	GPIO1_13	30
31	FEC_MDC	FEC_MDIO	32
33	GROUND	GROUND	34
35	FEC_TXD0	FEC_TXD1	36
37	FEC_TXD2	FEC_TXD3	38

P3			
PIN	SIGNAL	SIGNAL	PIN
39	FEC_TX_EN	FEC_TX_ER	40
41	FEC_RXD0	FEC_RXD1	42
43	FEC_RXD2	FEC_RXD3	44
45	FEC_RX_DV	FEC_RX_ER	46
47	FEC_TX_COL	FEC_CR_S	48
49	FEC_TX_CLK	FEC_RX_CLK	50
51	GROUND	GROUND	52
69	GROUND	GROUND	70
73	1588_CLK_OUT	1588_PULSE_OUT	74

## Ordering Information

Items	Order Code	Description
CPU Main Board	ZCPU357 - CM	ZCPU357 CPU Module

► Please contact [zerosmall@gmail.com](mailto:zerosmall@gmail.com) to define the version fitting your requirements.

### ZCPU357 options : Make your choice!

- Processor : I.MX 357
- CPU frequency : 532MHz

## Corporate Offices



#905 Hansol Technotown 455, Gyeongsu-daero, Gunpo-si, Gyeonggi-do  
 TEL. 82-31-451-1997 FAX. 82-31-451-1970 E-Mail. zerosmall@gmail.com